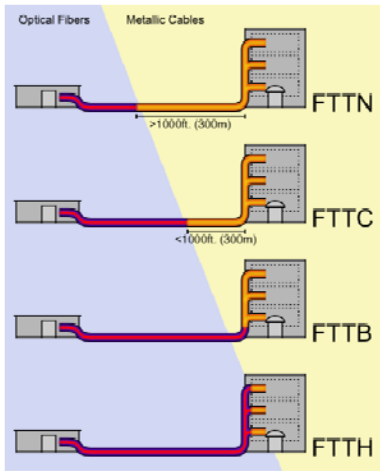


# Fiber to the X



[http://en.wikipedia.org/wiki/Fiber\\_to\\_the\\_x](http://en.wikipedia.org/wiki/Fiber_to_the_x)  
FTTP – blanket term for the above

- 15% of homes in North America have a FTTH connection
- FiOS is 70% of the FTTH connections
- \$800 per home for new FTTH deployments

<http://www.ftthcouncil.org/en/content/next-generation-bandwidth-is-here-and-now> and  
[http://www.businessweek.com/magazine/content/04\\_44/b3906044\\_mz011.htm](http://www.businessweek.com/magazine/content/04_44/b3906044_mz011.htm)

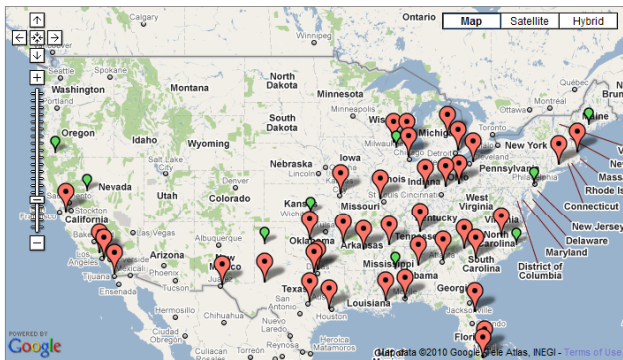
	Bandwidth	Type
Verizon FiOS	50 Mbps	FTTH
AT&T U-Verse	18 Mbps	FTTH/N
Comcast Docsis 3.0	50 Mbps	Cable

[http://www.wikinvest.com/concept/Fiber-to-the-Home\\_\(FTTH\)](http://www.wikinvest.com/concept/Fiber-to-the-Home_(FTTH))

	Distance	Bandwidth	Voice Channels
Copper	2.5 km	1.5 Mb/s	24
Fiber	200 km	2.5+ Gb/s	32,000 +

<http://www.thefoa.org/tech/fo-or-cu.htm>

AT&T U-Verse (FTTH/N) Deployments

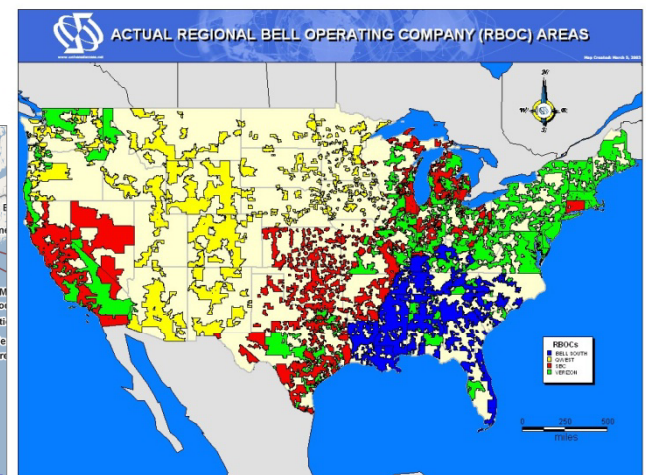


<http://www.dslreports.com/qmaps/uverse>

Verizon FiOS (FTTH) Deployments



<http://www.dslreports.com/qmaps/fios>



[http://en.wikipedia.org/wiki/File:RBOC\\_Iraq.jpg](http://en.wikipedia.org/wiki/File:RBOC_Iraq.jpg)