



avoid "laxity in the use of the term"--Kenneth Sayre,
Cybernetics and the Philosophy of Mind, 1976

definitive

modern roots

information theory

disciplinary anxieties

ischools

information science

older approaches

information and the law

information and economics/business

information unbound

21 Jan: Information and philology

26 Jan: Ischool identities

2 Feb: How much information?

9 Feb: Information and news

11 Feb: Information and the organization of
knowledge

23 Feb: Information and the public

2 Mar: Legal information

9 Mar: Information and the state

16 Mar: Information and politics

30 Mar: Information science

6 Apr: Information theory-Philosophy of
information

13 Apr: Information and economics

20 Apr: Searching for information

27 Apr: Information and cognitive science

29 Apr: Information as social capital



new fields, new definitions

modern roots

information theory

disciplinary anxieties

ischools

information science

information and the state

older approaches

information and the law

information and economics

information unbound

"The logic of definition is nowhere more crucial than with respect to the name of a field of scholarly enquiry...The name of the field maps out essential characteristics."

Alvin Schrader, "In Search of a Name," 1984

"Science begins when the meaning of the words is strictly delimited."

L. Brillouin, *Science and Information Theory*, 1962

"Rarely does it happen in mathematics that a new discipline achieves the character of a mature developed scientific theory in the first investigation devoted to it... So it was with information theory after the work of Shannon."

A.I. Khintchin, 1956



definitive

modern roots

information theory

disciplinary anxieties

ischools

information science

older approaches

information and the law

information and economics

information unbound

"Information relates not so much to what you do say,
as to what you could say ... a measure of one's freedom
of choice when one selects a message"

Claude Shannon,

The Mathematical Theory of Communication, 1949

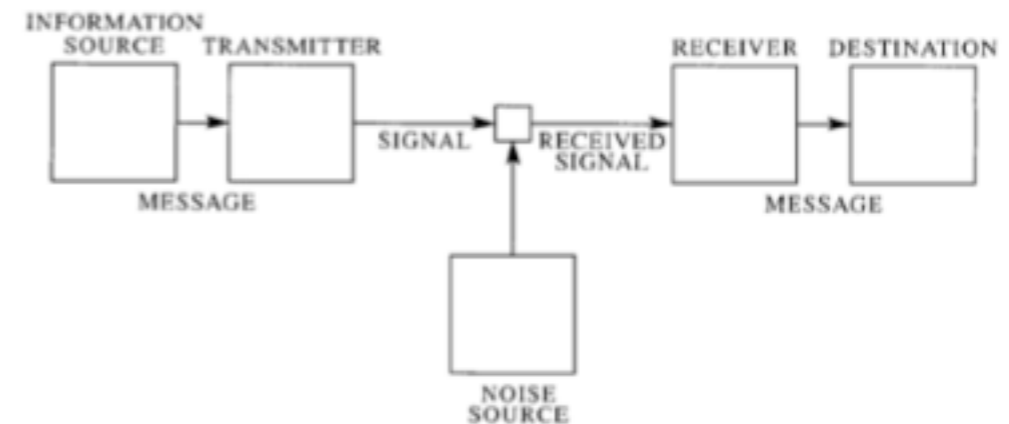


Fig. 1—Schematic diagram of a general communication system.



definitions

and antecedents

"[I]nformation is a very elastic term ... a more specific meaning ... the sender mentally selects ... At each selection there are eliminated all of the other symbols which might have been chosen ... more and more possible symbols sequences are eliminated ... the information becomes more precise ... Inasmuch as the precision of the information depends upon what might have been .. reasonable to hope to find in the number of these sequences the desired quantitative measure desirable ... to eliminate the psychological factors involved and to establish a measure of information in terms of purely physical quantities."

R[alph] V.L. Hartley, "Transmission of Information,"
Bell System Technical Journal, 1928



yet

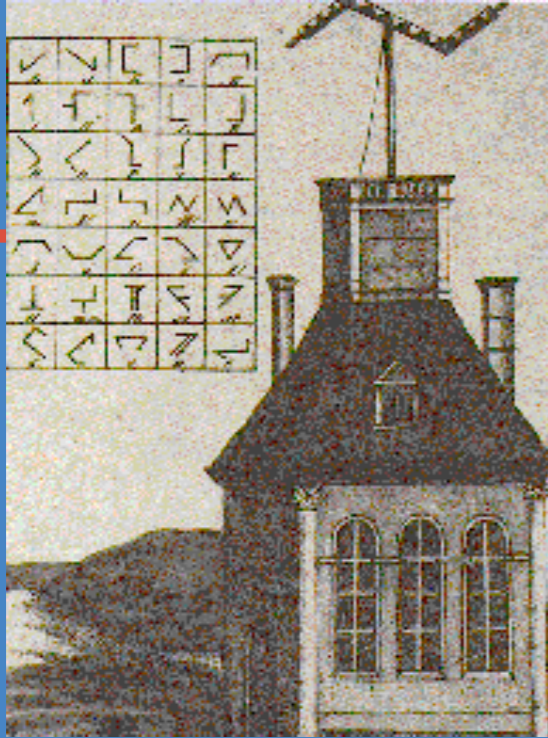
"The word communication will be used here in a very broad sense to include all the procedures by which one mind may affect another. This, of course, involves not only written and oral speech, but also music, the pictorial arts, the theatre, the ballet, and in fact all human behavior ... one which would include the procedures by means of which one mechanism (say automatic equipment to track an airplane and to compute its probable future positions) affects another mechanism (say a guided missile chasing an airplane)."

Warren Weaver, *The Mathematical Theory of Communication*, 1949



hold on

"[B]asic results [of information theory] are aimed in a very specific direction ... not necessarily relevant to such fields as psychology, economics, and other social sciences, ... not a trivial matter of translating words to a new domain"
Claude Shannon, "The Bandwagon," 1956



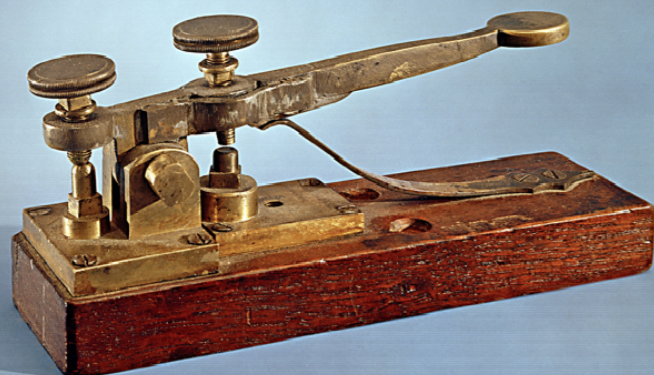
information transmitted

processing and transmission

"these machines have generally been established for the purpose of transmitting information during war"

Charles Babbage,

On the Economy of Machinery and Manufactures, 1832





information delivered



HMI?
How Much Information?

"Information is a subset of data

"data ... artificial signals intended to convey
meaning ...

"information ... data that is delivered for use by a
person...

"... data, the "raw material" of information.

"... we measure as information each time consumers use
it.

... traditional information ... from media that preceded
the home computer era."

Roger Bohn & James Short, *How Much Information?* 2009



ischools

modern roots

information theory

disciplinary anxieties

ischools

information science

older approaches

information and the law

information and economics

information unbound

"Information is hard to define and impossible to see,
but it is every-where. ...

"It is the thing that moves within and between
people and technology, making them interesting ...

"The action occurs where people and technology meet because
that is where the information exists. "

Wobbrock et al, "Exploring the Future of iSchools," 2010

"Information is no more abstract than law,
business, or policy

"We are not about the interactions between people and
arbitrary technology: We focus on technology that mediates
information use."

Pollack, "Reflections on the Future of iSchools," 2010



information science

modern roots

information theory

disciplinary anxieties

ischools

information science

older approaches

information and the law

information and economics

information unbound

ancestral voices

First use [?]: "Computer and Information Sciences Program"
University of Pennsylvania, 1959

"Information ... is a category word, for there are many
kinds ... [information is] recorded marks"
Symposium on Education for Information Science, 1965

"Information ... is a process which occurs within a human
mind when a problem and data useful for a solution are
brought into productive union"
A.G. Hoshovsky & R.J. Massey, "Information Science:
Its Ends, Means, and Opportunities," 1968

"[data] that which is recorded as symbols from which other
symbols may be produced" ... [information] "the result of
processing of data, usually formalized processing."
R.M.Hayes, "Information Science in Librarianship," 1969



'formal answer

legacy issues

NBA's Gilbert Arenas Charged With Gun Felony

by THE ASSOCIATED PRESS



January 14, 2010

text size **A A A**

Washington Wizards guard Gilbert Arenas has been charged with a felony in connection with last month's locker room confrontation with a teammate.

Arenas was charged Thursday with one count of carrying a pistol without a license.

The charges were filed in D.C. Superior Court in an "information," a document that generally signals a plea deal.

His lawyer had no immediate comment.



legal information

Results 1 - 10 of about 23,200,000 for "legal information". (0.24 seconds)

modern roots

information theory

disciplinary anxieties

ischools

information science

older approaches

information and the law

information and economics

information unbound

[Free Legal Advice in 100+ Law Topics - Law Attorney](#)

Free Legal Advice is the best law site for consumers, with easy to understand answers to legal questions from expert lawyers, attorneys available Free to ...

[Divorce Law - Child Custody - FreeAdvice Answers](#)
[www.freeadvice.com/](#) - [Cached](#) - [Similar](#)

[Lawyer, Lawyers, Attorney, Attorneys, Law, Legal Information - FindLaw](#)

Find a local lawyer and free legal information at FindLaw, the award-winning website.

[www.findlaw.com/](#) - [Cached](#) - [Similar](#)

[Lawyers, Legal Forms, Law Books, Legal Software, and Free ...](#)

Free legal information, legal books and software, and legal forms— ... The most authoritative and comprehensive legal information online. ...

[www.nolo.com/](#) - [Cached](#) - [Similar](#)

[World Wide Legal Information Association](#)

Providing free legal information to the wide world since 1997.

[www.wwia.org/](#) - [Cached](#) - [Similar](#)

[Legal Information for U.S. Business Organizations](#)

General Resources (sites with multiple areas of legal information) ... Nonprofit -Specific

Legal Information (NOTE: most other topics apply to nonprofits, ...

[managementhelp.org/legal/legal.htm](#) - [Cached](#) - [Similar](#)

[Lawyer, Attorney, Law Firms, Attorneys, Legal Information. Lawyers.com](#)

Attorney, lawyer, and law firm directory to find a lawyer, attorneys, and local law firms.

Lawyers.com is the #1 lawyer directory.

[www.lawyers.com/](#) - 2 hours ago - [Cached](#) - [Similar](#)

[3M Worldwide: Legal Information](#)

Nothing contained in this Legal Information Page is intended to modify or amend any agreement currently in effect between you and 3M. ...

[solutions.3m.com/wps/portal/3M/en_WW/.../WW/.../Legal/](#) - [Cached](#) - [Similar](#)

[All Law-Legal Help-Legal Services-Legal Advice-Law Documents-Legal ...](#)

All Law provides free legal services, legal help, legal documents, law information, and legal help. Search for a law firm, attorney or lawyer.

[www.alllaw.com/](#) - [Cached](#) - [Similar](#)



legal information

modern roots

information theory

disciplinary anxieties

ischools

information science

older approaches

information and the law

information and economics

information unbound

self evidence?

Legal advice

From Wikipedia, the free encyclopedia

Legal advice is distinguished from **legal information** which is the reiteration of legal fact. Legal information can be conveyed by a parking meter, sign or by other forms of notice such as a warning by a **law enforcement officer**. Printed legal materials, such as directions and **how-to** manuals, are generally not considered legal advice. Accordingly, directions on how to fill in a motion form and other court documents do not constitute legal advice.^[*citation needed*] On the other hand, application of legal rules and principles to a specific set of facts is almost always held to constitute legal advice by the courts.

NB. R. Berring, "Legal Information and the Search for Cognitive Authority,"
California Law Review 88(6) 2000: 1673-1709

R. Richards, "Definition of 'Legal Information,'" <http://home.comcast.net/~richards1000/Definitions.html>



decisive

modern roots

information theory

disciplinary anxieties

ischools

information science

older approaches

information and the law

information and economics

information unbound

"I propose we get rid of the duplication of 'knowledge and information.' There are those who insist on distinguishing 'information' from 'knowledge' ... The specialist in 'information theory' [ie Shannon] uses the word, as he frankly admits, in a 'rather strange way' ... but it is not what is commonly meant by 'information.' ... *Webster's Dictionary* defines 'information' as 'knowledge communicated' Hence, in the ordinary uses of the word, all information is knowledge"

Fritz Machulup, *Production and Distribution of Knowledge*, 1962



business antecedents

modern roots

information theory

disciplinary anxieties

ischools

information science

older approaches

information and the law

information and economics

information unbound

scientific management

"the science of management [comprises] organization, communication, and information" and information is "recorded communication"

Henry Varnum Poor,
American Railroad Journal c1849

cp Alfred Chandler & James Cortada
A Nation Transformed by Information, 2000

directions of the wind is that the (reduced) high-level barometric reading exceeds the (reduced) low-level reading when the wind blows at about the rate of 5 miles an hour. The reverse is always true when the speed of the wind exceeds that rate, on the one hand, or is extremely small, on the other. This seems to indicate an increase of pressure in air-currents which ascend the mountain, and so may explain the fact that the top of the mountain is frequently clear, while dense cloud is being constantly formed at a short distance above it.

— On June 27 a scientific expedition, headed by Professor Lee, instructor in biology at Bowdoin College, sailed from Rockland, Me., for Labrador. Of the seventeen members of the party with

necessity less than the true average rate per day, because every day that a bottle lies undiscovered on the beach counts on its time of drift, the apparent elapsed time being thus too great and the average drift per day too small. It is proposed to continue the publication of bottle papers as often as possible, not only for the Atlantic but for other oceans, and masters of vessels and others interested are urged to co-operate with the hydrographic office in collecting as complete data as possible regarding this general subject. Any reliable reports of long drifts of bottle-papers, or any other floating objects, will be of interest in this connection, and the accumulation of such data may add considerable useful information to our knowledge of the general drift of ocean currents.

information economy/society

modern roots

information theory

disciplinary anxieties

ischools

information science

older approaches

information and the law

information and economics

information unbound

"information is a pattern or design that rearranges data for instrumental purposes, while knowledge is the set of reasoned judgments that evaluates the adequacy of the pattern for the purpose ...

"knowledge and information are becoming the strategic resource and transforming agent of the post-industrial society

Daniel Bell, "Social Framework" 1979

cp "Such data may add considerable useful information to our knowledge"
Science, 1891



information economy/society

modern roots

information theory

disciplinary anxieties

ischools

information science

older approaches

information and the law

information and economics

information unbound

The endless cycle of ideas and action

Endless invention, endless experimentation

Brings knowledge of motion, not of stillness

Where is the life we have lost in the living?

Where is the wisdom we have lost in knowledge?

Where is the knowledge we have lost in information?

T.S. Eliot, "Choruses from 'The Rock,'" 1934



information's progress

modern roots

information theory

disciplinary anxieties

ischools

information science

older approaches

information and the law

information and economics

information unbound

"A crucial distinction is made by Mr. Roszak [in the *Cult of Information*] between information, or data, and knowledge, that semantic embarrassment which computer zealots at best ignore and at worst disguise, calling it by such misnomers as 'knowledge systems.' Computers may excel at processing data. But, unlike humans, they are incapable of the original thought of which knowledge is created."

New York Times, 1987



popular wisdom

modern roots

information theory

disciplinary anxieties

ischools

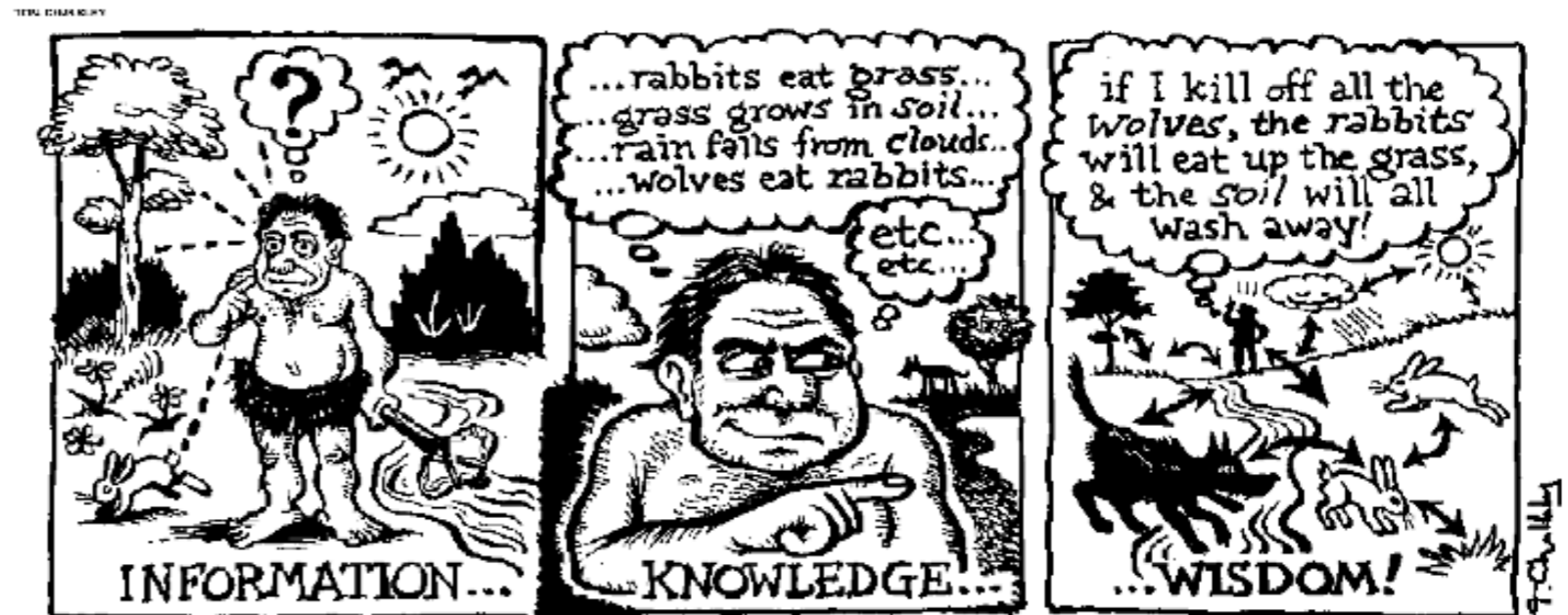
information science

older approaches

information and the law

information and economics

information unbound





"For national decision makers, no better alternative is at hand than to accept the unifying concept of information ..."

William H Read, 'Information as a National Resource,' 1978.

information unbound

21 Jan: Information and philology

26 Jan: Ischool identities

2 Feb: How much information?

9 Feb: Information and news

11 Feb: Information and the organization of knowledge

23 Feb: Information and the public

2 Mar: Legal information

9 Mar: Information and the state

16 Mar: Information and politics

30 Mar: Information science

6 Apr: Information theory-Philosophy of information

13 Apr: Information and economics

20 Apr: Searching for information

27 Apr: Information and cognitive science

29 Apr: Information as social capital

"The logic of definition is nowhere more crucial than with respect to the name of a field of scholarly enquiry...The name of the field maps out essential characteristics."

Alvin Schrader, "In Search of a Name," 1984

1. form of energy
2. form of property
3. form of commodity
4. a process of change in internal mental state
5. mathematical property which reduces uncertainty
6. knowledge
7. scientific knowledge
8. scientific information
9. science information
10. data
11. facts
12. communication
13. meaning
14. message content
15. perception
16. consciousness
17. mental impression
18. physical transmission signals.